



AiM Infotech

Installation procedure for SmartyCam with EVO3 Pro or EVO3 8/13channels on Formula Renault 2000

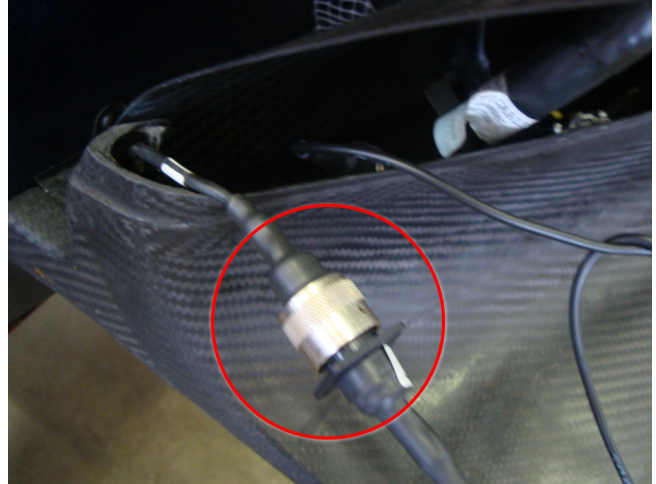
Release 1.01



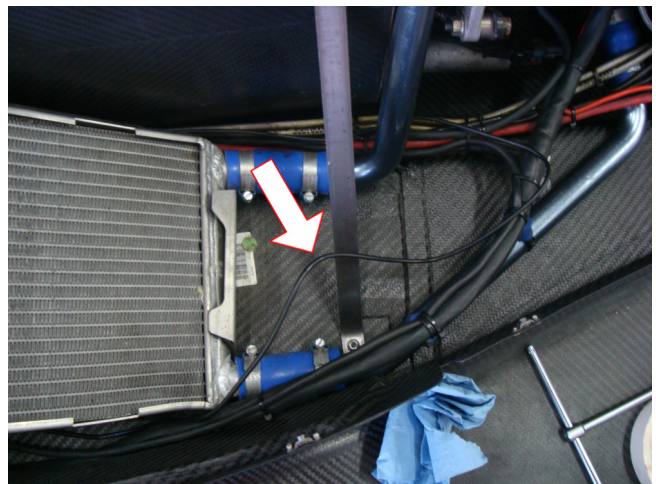
Chapter 1 – Installation with EVO3 Pro

This procedure fits only **SmartyCam** with EVO3 Pro installation on Formula Renault 2000 vehicles.

Unplug the J59 connector placed on the vehicle left side under the radiator and connect in series SmartyCam wiring.



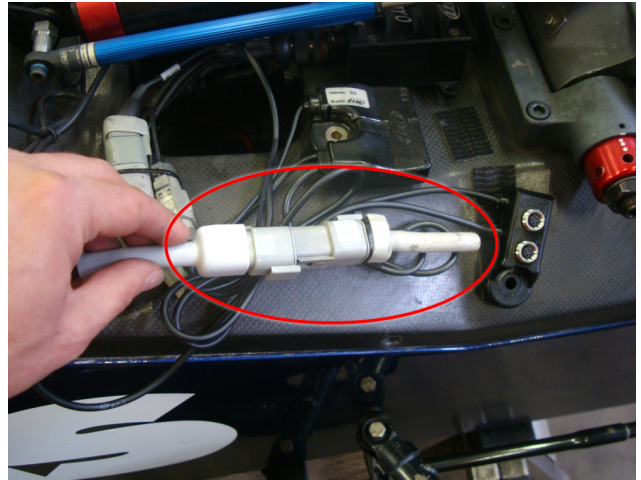
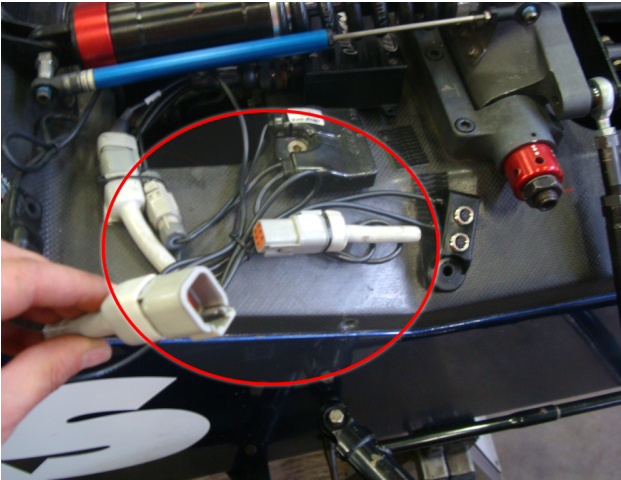
Let the cable (highlighted by an arrow here on the right) pass toward the vehicle cockpit using the proper hole highlighted in the image here below.



The right image shows the cable passing hole.

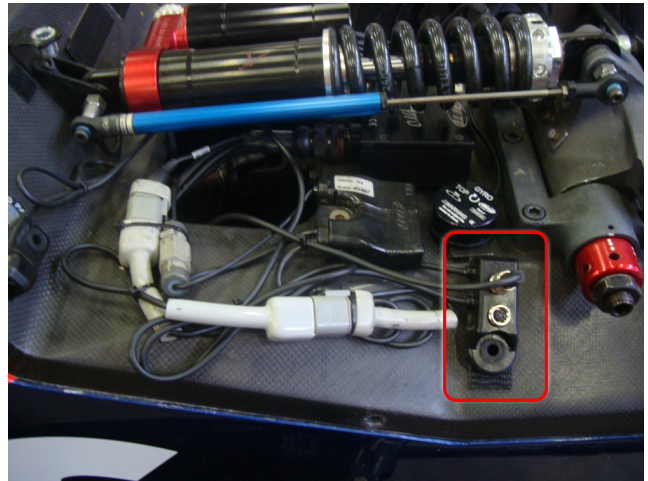
Stretch the cable with the Data Hub towards the front dumper.





With reference to the above images, unplug the CAN termination on the GPS (the one with the plastic connector) and plug the dual connector to the data Hub

Connect SmartyCam CAN cable to the Data Hub.



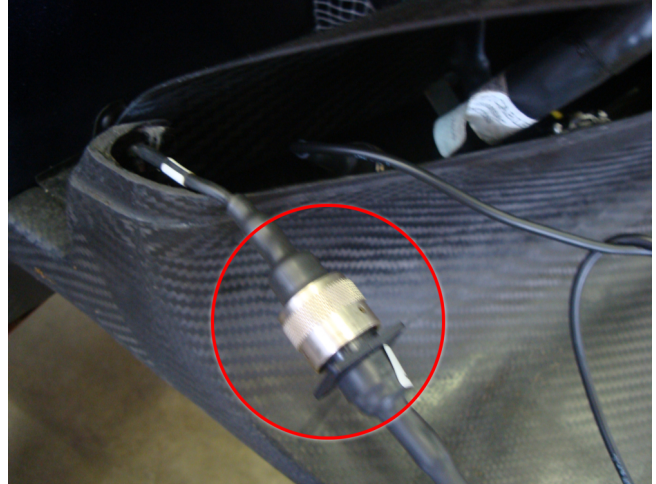
Stretch the cable to the desired installation point. In the image here on the right SmartyCam is installed on the roll bar.



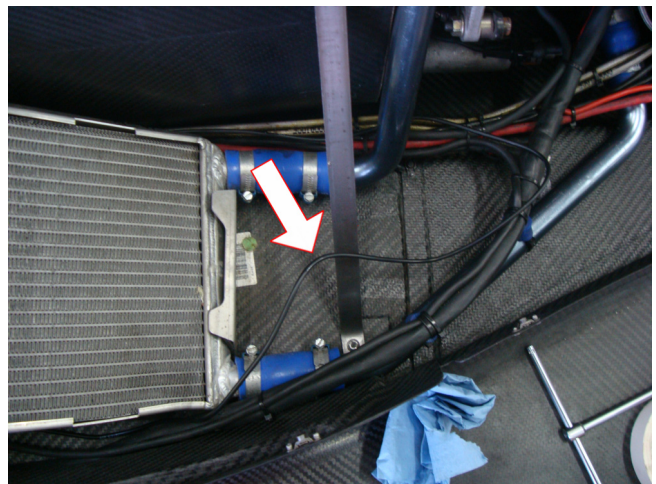
Chapter 2 – Installation with EVO3 8/13 channels

This procedure fits only **SmartyCam** with EVO3 – 8/13 channels installation on Formula Renault 2000 vehicles.

Connect cable labelled V02566140 to J59 connector placed on the vehicle left side under the radiator.

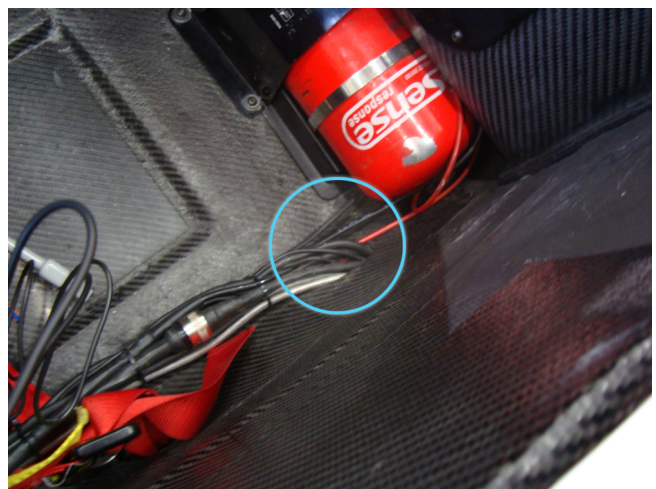


Let the cable (highlighted by an arrow here on the right) pass toward the vehicle cockpit using the proper hole highlighted in the image here below.



The right image shows the cable passing hole.





Stretch ECU Bridge cable towards the front dumper.

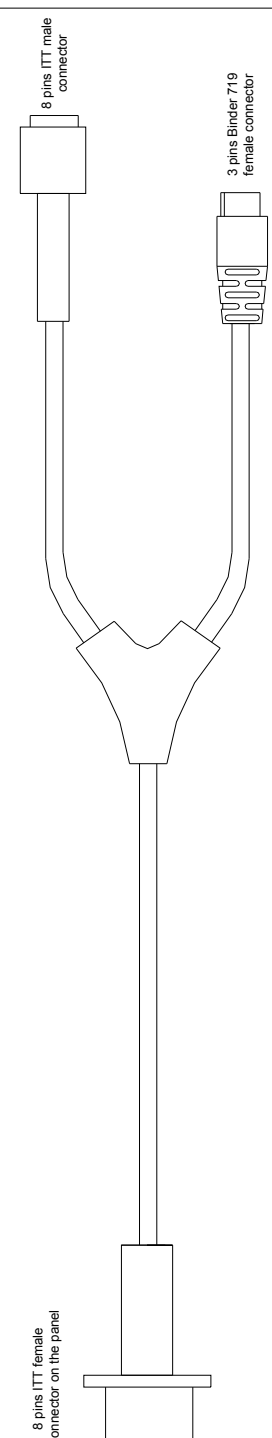
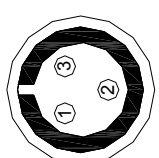
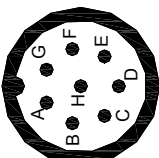
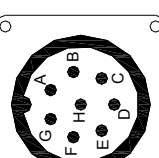



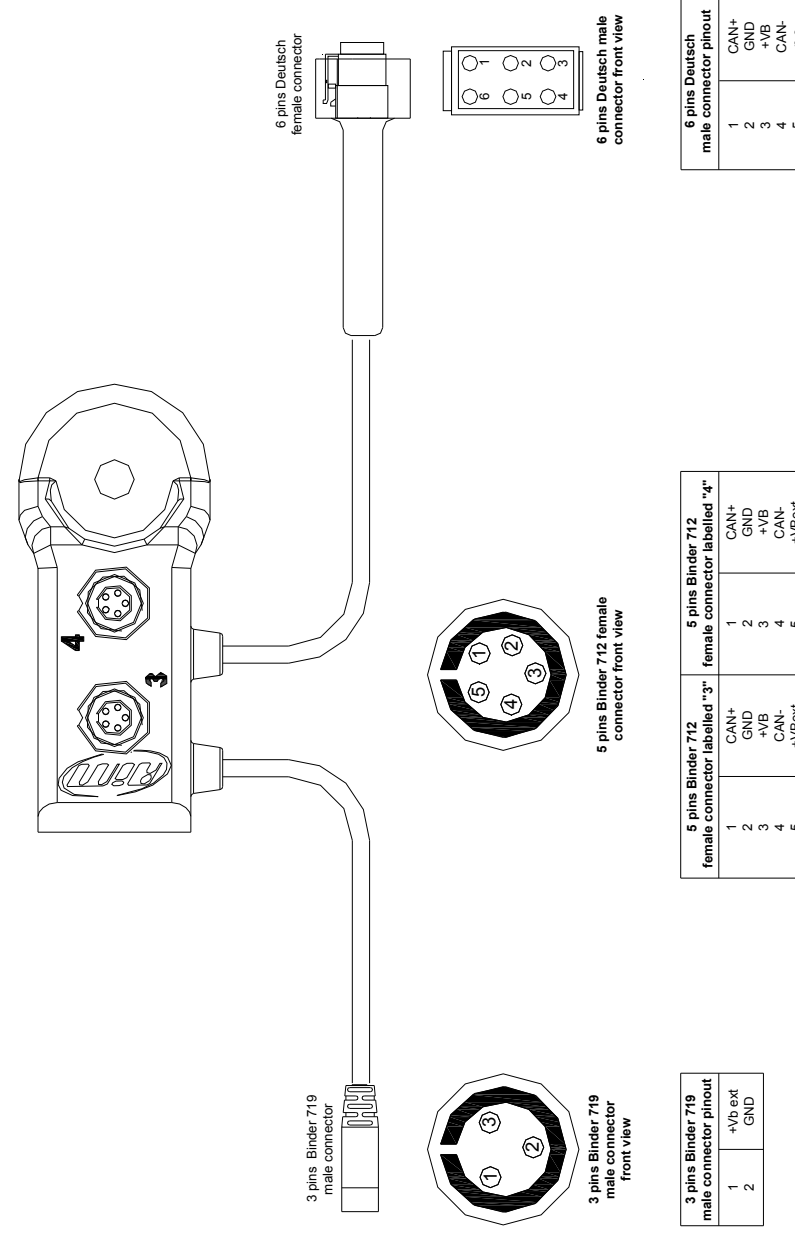

Stretch the cable to SmartyCam installation point. In the image here on the right SmartyCam is installed on the roll bar.



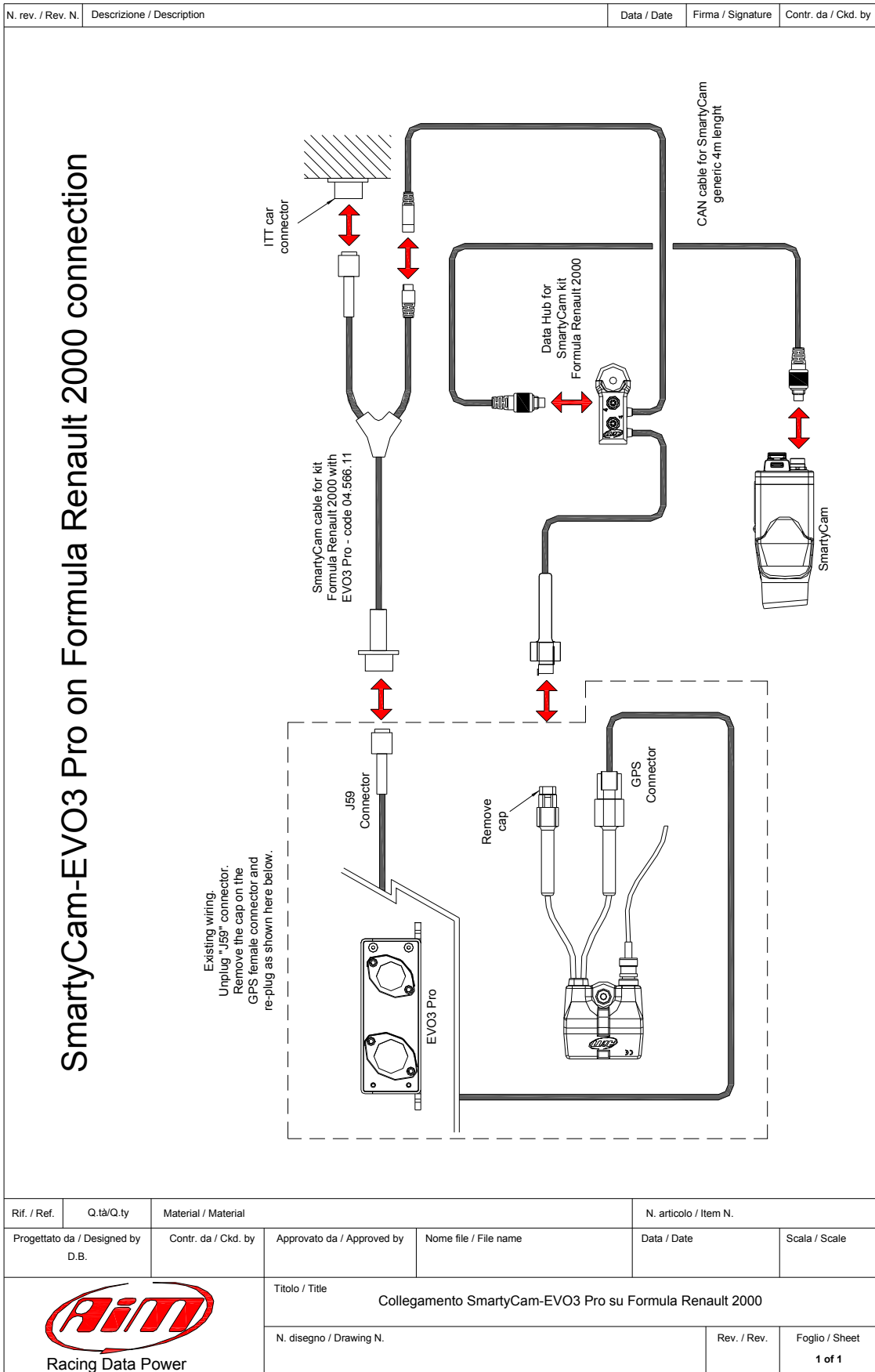
Appendix "A" – EVO3 Pro wirings

N. rev. / Rev. N.	Descrizione / Description	Data / Date	Firma / Signature	Contr. da / Ckd. by																												
<div style="display: flex; justify-content: space-between;"> <div style="writing-mode: vertical-rl; transform: rotate(180deg); font-weight: bold; font-size: 1.2em;">Adapter CAN cable for SmartyCam: available lengths 2m/4m</div> <div style="text-align: center;">  <p style="margin-top: 10px;">7 pins - Binder 712 male connector</p> <p style="margin-top: 10px;">Adapter CAN cable for SmartyCam available lengths: 2m/4m</p> <p style="margin-top: 10px;">5 pins Binder 712 male connector</p> </div> </div> <div style="display: flex; justify-content: space-around;"> <div style="text-align: center;">  <p>7 pins Binder 712 male connector Solder termination view</p> <table border="1" style="margin-top: 10px; border-collapse: collapse;"> <thead> <tr> <th colspan="2" style="text-align: left; padding: 2px;">7 pins Binder 712 male connector pinout</th> </tr> </thead> <tbody> <tr><td style="text-align: center; width: 20px;">1</td><td style="padding: 2px;">CAN+</td></tr> <tr><td style="text-align: center;">2</td><td style="padding: 2px;">GND</td></tr> <tr><td style="text-align: center;">3</td><td style="padding: 2px;">+Vb</td></tr> <tr><td style="text-align: center;">4</td><td style="padding: 2px;">CAN-</td></tr> <tr><td style="text-align: center;">5</td><td style="padding: 2px;">Vb ext</td></tr> <tr><td style="text-align: center;">6</td><td style="padding: 2px;">n.c.</td></tr> <tr><td style="text-align: center;">7</td><td style="padding: 2px;">n.c.</td></tr> </tbody> </table> </div> <div style="text-align: center;">  <p>5 pins Binder 712 male connector Solder termination view</p> <table border="1" style="margin-top: 10px; border-collapse: collapse;"> <thead> <tr> <th colspan="2" style="text-align: left; padding: 2px;">5 pins Binder 712 male connector pinout</th> </tr> </thead> <tbody> <tr><td style="text-align: center; width: 20px;">1</td><td style="padding: 2px;">CAN+</td></tr> <tr><td style="text-align: center;">2</td><td style="padding: 2px;">GND</td></tr> <tr><td style="text-align: center;">3</td><td style="padding: 2px;">+Vb</td></tr> <tr><td style="text-align: center;">4</td><td style="padding: 2px;">CAN-</td></tr> <tr><td style="text-align: center;">5</td><td style="padding: 2px;">Vb ext</td></tr> </tbody> </table> </div> </div>					7 pins Binder 712 male connector pinout		1	CAN+	2	GND	3	+Vb	4	CAN-	5	Vb ext	6	n.c.	7	n.c.	5 pins Binder 712 male connector pinout		1	CAN+	2	GND	3	+Vb	4	CAN-	5	Vb ext
7 pins Binder 712 male connector pinout																																
1	CAN+																															
2	GND																															
3	+Vb																															
4	CAN-																															
5	Vb ext																															
6	n.c.																															
7	n.c.																															
5 pins Binder 712 male connector pinout																																
1	CAN+																															
2	GND																															
3	+Vb																															
4	CAN-																															
5	Vb ext																															
Rif. / Ref.	Q.tà/Q.ty	Material / Material	N. articolo / Item N.																													
Progettato da / Designed by L.I.	Contr. da / Ckd. by	Approvato da / Approved by	Nome file / File name	Data / Date																												
 Racing Data Power		Titolo / Title																														
		04.566.07 (lenght 2 m) 04.566.06 (lenght 4 m)																														
N. disegno / Drawing N.		Rev. / Rev.	Foglio / Sheet																													
			1 of 1																													





N.rev. / Rev. N.		Descrizione / Description		Data / date	Firma / Sign	Contr. da / Ckd. by																		
<p>Adapter cable power+CAN for SmartyCam on Formula Renault 2000 with EVO3 Pro</p>  <p>8 pins ITT female connector 3 pins Binder 719 female connector</p>																								
		<p>8 pins ITT female connector pinout</p> <table border="1"> <tr><td>1</td><td>+Vb ext</td></tr> <tr><td>2</td><td>GND</td></tr> <tr><td>3</td><td>n.c.</td></tr> </table>		1	+Vb ext	2	GND	3	n.c.	<p>3 pins Binder 719 female connector pinout Solder termination view</p> 														
1	+Vb ext																							
2	GND																							
3	n.c.																							
		<p>8 pins ITT male connector pinout</p> <table border="1"> <tr><td>A</td><td>n.c.</td></tr> <tr><td>B</td><td>CAN1-</td></tr> <tr><td>C</td><td>CAN1+</td></tr> <tr><td>D</td><td>n.c.</td></tr> <tr><td>E</td><td>+Vb ext</td></tr> <tr><td>F</td><td>GND</td></tr> <tr><td>G</td><td>n.c.</td></tr> <tr><td>H</td><td>n.c.</td></tr> </table>		A	n.c.	B	CAN1-	C	CAN1+	D	n.c.	E	+Vb ext	F	GND	G	n.c.	H	n.c.	<p>8 pins ITT male connector pinout Contact insertion view</p> 				
A	n.c.																							
B	CAN1-																							
C	CAN1+																							
D	n.c.																							
E	+Vb ext																							
F	GND																							
G	n.c.																							
H	n.c.																							
		<p>8 pins ITT female connector pinout</p> <table border="1"> <tr><td>A</td><td>n.c.</td></tr> <tr><td>B</td><td>CAN1-</td></tr> <tr><td>C</td><td>CAN1+</td></tr> <tr><td>D</td><td>n.c.</td></tr> <tr><td>E</td><td>+Vb ext</td></tr> <tr><td>F</td><td>GND</td></tr> <tr><td>G</td><td>n.c.</td></tr> <tr><td>H</td><td>n.c.</td></tr> </table>		A	n.c.	B	CAN1-	C	CAN1+	D	n.c.	E	+Vb ext	F	GND	G	n.c.	H	n.c.	<p>8 pins ITT female connector on the panel pinout Contact insertion view</p> 				
A	n.c.																							
B	CAN1-																							
C	CAN1+																							
D	n.c.																							
E	+Vb ext																							
F	GND																							
G	n.c.																							
H	n.c.																							
Rif. / Ref.	Q.tà / Q.ty	Materiale / Material			N. articolo / Item N.																			
Progettato da / Designed by L.I.	Contr. da / Ckd. by	Approvato da / Approved by	Nome file / File name		Data / Date	Scala / Scale																		
		Titolo / Title Cavo adattatore alimentazione+CAN per SmartyCam su Formula Renault 2000 con EVO3 Pro																						
		N. disegno / Drawing N. 04.566.11		Rev. / Rev. 2	Foglio / Sheet 1 of 1																			

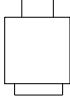
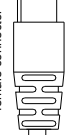
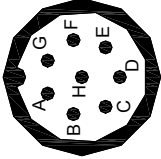
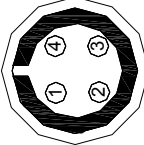

N.rev. / Rev. N.	Descrizione / Description	Data / date	Firma / Sign	Contr. da / Ckd. by												
<p>Data Hub for SmartyCam on Formula Renault 2000 with EVO3 Pro</p> 																
<p>3 pins Binder 719 male connector</p> <table border="1"> <tr> <td>1</td> <td>+Vb ext</td> </tr> <tr> <td>2</td> <td>GND</td> </tr> </table>					1	+Vb ext	2	GND								
1	+Vb ext															
2	GND															
<p>5 pins Binder 712 female connector front view</p> <table border="1"> <tr> <td>1</td> <td>CAN+</td> </tr> <tr> <td>2</td> <td>GND</td> </tr> <tr> <td>3</td> <td>+VB</td> </tr> <tr> <td>4</td> <td>CAN-</td> </tr> <tr> <td>5</td> <td>+Vbext</td> </tr> </table>					1	CAN+	2	GND	3	+VB	4	CAN-	5	+Vbext		
1	CAN+															
2	GND															
3	+VB															
4	CAN-															
5	+Vbext															
<p>5 pins Binder 712 female connector labelled "4"</p> <table border="1"> <tr> <td>1</td> <td>CAN+</td> </tr> <tr> <td>2</td> <td>GND</td> </tr> <tr> <td>3</td> <td>+VB</td> </tr> <tr> <td>4</td> <td>CAN-</td> </tr> <tr> <td>5</td> <td>+Vbext</td> </tr> </table>					1	CAN+	2	GND	3	+VB	4	CAN-	5	+Vbext		
1	CAN+															
2	GND															
3	+VB															
4	CAN-															
5	+Vbext															
<p>6 pins Deutsch female connector</p> <table border="1"> <tr> <td>1</td> <td>CAN+</td> </tr> <tr> <td>2</td> <td>GND</td> </tr> <tr> <td>3</td> <td>+VB</td> </tr> <tr> <td>4</td> <td>CAN-</td> </tr> <tr> <td>5</td> <td>n.c.</td> </tr> <tr> <td>6</td> <td>n.c.</td> </tr> </table>					1	CAN+	2	GND	3	+VB	4	CAN-	5	n.c.	6	n.c.
1	CAN+															
2	GND															
3	+VB															
4	CAN-															
5	n.c.															
6	n.c.															
<p>6 pins Deutsch male connector front view</p> <table border="1"> <tr> <td>1</td> <td>CAN+</td> </tr> <tr> <td>2</td> <td>GND</td> </tr> <tr> <td>3</td> <td>+VB</td> </tr> <tr> <td>4</td> <td>CAN-</td> </tr> <tr> <td>5</td> <td>n.c.</td> </tr> <tr> <td>6</td> <td>n.c.</td> </tr> </table>					1	CAN+	2	GND	3	+VB	4	CAN-	5	n.c.	6	n.c.
1	CAN+															
2	GND															
3	+VB															
4	CAN-															
5	n.c.															
6	n.c.															
Rif. / Ref.	Q.tà / Q.ty	Materiale / Material	N. articolo / Item N.													
Progettato da / Designed by	Contr. da / Ckd. by	Approvato da / Approved by	Nome file / File name	Data / Date												
		Titolo / Title														
		Data Hub per SmartyCam su Formula Renault 2000 con EVO3 Pro														
N. disegno / Drawing N.		Rev. / Rev.	Foglio / Sheet													
			1 di 1													

SmartyCam-EVO3 Pro on Formula Renault 2000 connection



Appendix “B” – EVO3 8/13 channels wiring

N. rev. / Rev. N.	Descrizione / Description	Data / Date	Firma / Signature	Contr. da / Ckd. by																												
<div style="display: flex; justify-content: space-around; align-items: center;"> <div style="writing-mode: vertical-rl; transform: rotate(180deg); font-weight: bold; font-size: 1.2em;">Adapter CAN cable for SmartyCam: available lengths 2m/4m</div> <div style="text-align: center;">  <p>7 pins Binder 712 male connector</p> <p>Adapter CAN cable for SmartyCam available lengths: 2m/4m</p> <p>5 pins Binder 712 male connector</p> </div> <div style="text-align: center;">  <p>5 pins Binder 712 male connector Solder termination view</p> <table border="1" style="margin: 0 auto;"> <thead> <tr> <th colspan="2">5 pins Binder 712 male connector pinout</th> </tr> </thead> <tbody> <tr><td>1</td><td>CAN+</td></tr> <tr><td>2</td><td>GND</td></tr> <tr><td>3</td><td>+Vb</td></tr> <tr><td>4</td><td>CAN-</td></tr> <tr><td>5</td><td>Vb ext</td></tr> </tbody> </table> </div> <div style="text-align: center;">  <p>7 pins Binder 712 male connector Solder termination view</p> <table border="1" style="margin: 0 auto;"> <thead> <tr> <th colspan="2">7 pins Binder 712 male connector pinout</th> </tr> </thead> <tbody> <tr><td>1</td><td>CAN+</td></tr> <tr><td>2</td><td>GND</td></tr> <tr><td>3</td><td>+Vb</td></tr> <tr><td>4</td><td>CAN-</td></tr> <tr><td>5</td><td>Vb ext</td></tr> <tr><td>6</td><td>n.c.</td></tr> <tr><td>7</td><td>n.c.</td></tr> </tbody> </table> </div> </div>					5 pins Binder 712 male connector pinout		1	CAN+	2	GND	3	+Vb	4	CAN-	5	Vb ext	7 pins Binder 712 male connector pinout		1	CAN+	2	GND	3	+Vb	4	CAN-	5	Vb ext	6	n.c.	7	n.c.
5 pins Binder 712 male connector pinout																																
1	CAN+																															
2	GND																															
3	+Vb																															
4	CAN-																															
5	Vb ext																															
7 pins Binder 712 male connector pinout																																
1	CAN+																															
2	GND																															
3	+Vb																															
4	CAN-																															
5	Vb ext																															
6	n.c.																															
7	n.c.																															
Rif. / Ref.	Q.tà/Q.ty	Material / Material		N. articolo / Item N.																												
Progettato da / Designed by L.I.	Contr. da / Ckd. by	Approvato da / Approved by	Nome file / File name	Data / Date Scala / Scale																												
		Titolo / Title 04.566.07 (length 2 m) 04.566.06 (length 4 m)																														
N. disegno / Drawing N.			Rev. / Rev.	Foglio / Sheet 1 of 1																												

N. rev. / Rev. N.	Descrizione / Description	Data / Date	Firma / Signature	Contr. da / Ckd. by																												
<p>Power + CAN adapter cable for SmartyCam on Formula Renault 2000 with EVO3 - 8/13 channels</p> <div style="display: flex; justify-content: space-around; align-items: center;"> <div style="text-align: center;">  <p>8 pins ITT male connector</p> </div> <div style="text-align: center;">  <p>4 pins Binder 719 female connector</p> </div> </div> <div style="display: flex; justify-content: space-around; margin-top: 20px;"> <div style="text-align: center;">  <p>8 pins ITT male connector contact insertion view</p> <table border="1" style="margin-top: 10px;"> <tr><th colspan="2">8 pins ITT male connector pinout</th></tr> <tr><td>A</td><td>n.c.</td></tr> <tr><td>B</td><td>CAN 1-</td></tr> <tr><td>C</td><td>CAN 1+</td></tr> <tr><td>D</td><td>n.c.</td></tr> <tr><td>E</td><td>+Vb ext.</td></tr> <tr><td>F</td><td>GND</td></tr> <tr><td>G</td><td>n.c.</td></tr> <tr><td>H</td><td>n.c.</td></tr> </table> </div> <div style="text-align: center;">  <p>4 pins Binder 719 female connector Solder termination view</p> <table border="1" style="margin-top: 10px;"> <tr><th colspan="2">4 pins Binder 719 female connector pinout</th></tr> <tr><td>1</td><td>CAN 1+</td></tr> <tr><td>2</td><td>GND</td></tr> <tr><td>3</td><td>+Vb ext.</td></tr> <tr><td>4</td><td>can 1-</td></tr> </table> </div> </div>					8 pins ITT male connector pinout		A	n.c.	B	CAN 1-	C	CAN 1+	D	n.c.	E	+Vb ext.	F	GND	G	n.c.	H	n.c.	4 pins Binder 719 female connector pinout		1	CAN 1+	2	GND	3	+Vb ext.	4	can 1-
8 pins ITT male connector pinout																																
A	n.c.																															
B	CAN 1-																															
C	CAN 1+																															
D	n.c.																															
E	+Vb ext.																															
F	GND																															
G	n.c.																															
H	n.c.																															
4 pins Binder 719 female connector pinout																																
1	CAN 1+																															
2	GND																															
3	+Vb ext.																															
4	can 1-																															
Rif. / Ref.	Q.tà/Q.ty	Material / Material		N. articolo / Item N.																												
Progettato da / Designed by	Contr. da / Ckd. by	Approvato da / Approved by	Nome file / File name	Data / Date																												
L.I.																																
		Titolo / Title Cavo adattatore alimentazione + CAN SmartyCam su Formula Renault 2000 con EVO3 - 8/13 canali																														
		N. disegno / Drawing N.	Rev. / Rev.	Foglio / Sheet																												
		04.566.14		1 of 1																												

