



AiM Infotech

VDO pressure sensor 0-5 bar (0-72 PSI)
0-10 bar (0-145 PSI)

Release 1.05



1

Introduction

This datasheet explains how to use VDO pressure sensors. These sensors are sold with a dedicated cable. Sensors kit **part numbers** are:

- | | | |
|-----------------------------|----------|------------------|
| • VDO pressure sensor+cable | 0-5 bar | X05SNB005 |
| • VDO pressure sensor+cable | 0-10 bar | X05SNB000 |

VDO cable is the same for both sensors and can be bought also as spare part with part number: **V0255204**.

This sensor fits the measurement of pressure of liquids like oil and gasoline. Do not use it to measure brake pressure. It needs a careful installation. This is why AiM suggests to address to a specialized workshop.

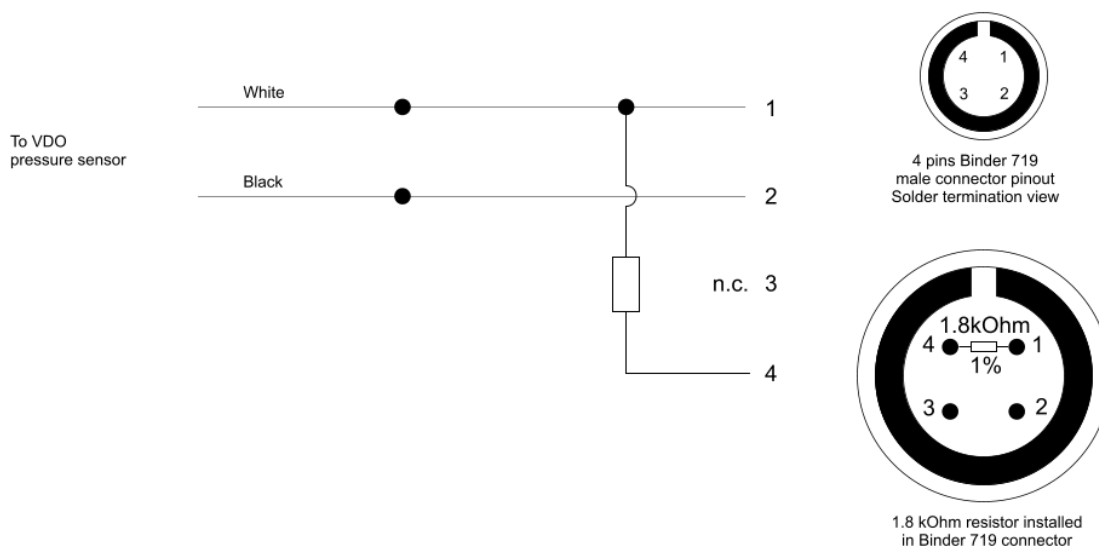
VDO 0-5 bar/0-10 bar sensor is made of a cylinder – with M10*1 thread that has to be screwed to the engine – and two connectors that sample GND and pressure signals. If the engine thread is bigger than the cylinder thread AiM suggests to use joints. AiM recommends to tightly screw the sensor to the engine so that vibrations do not loosen it.

2 VDO cable

AiM sensor is supplied with a proper cable, shown here below on the left; it has to be mounted as shown here below on the right.

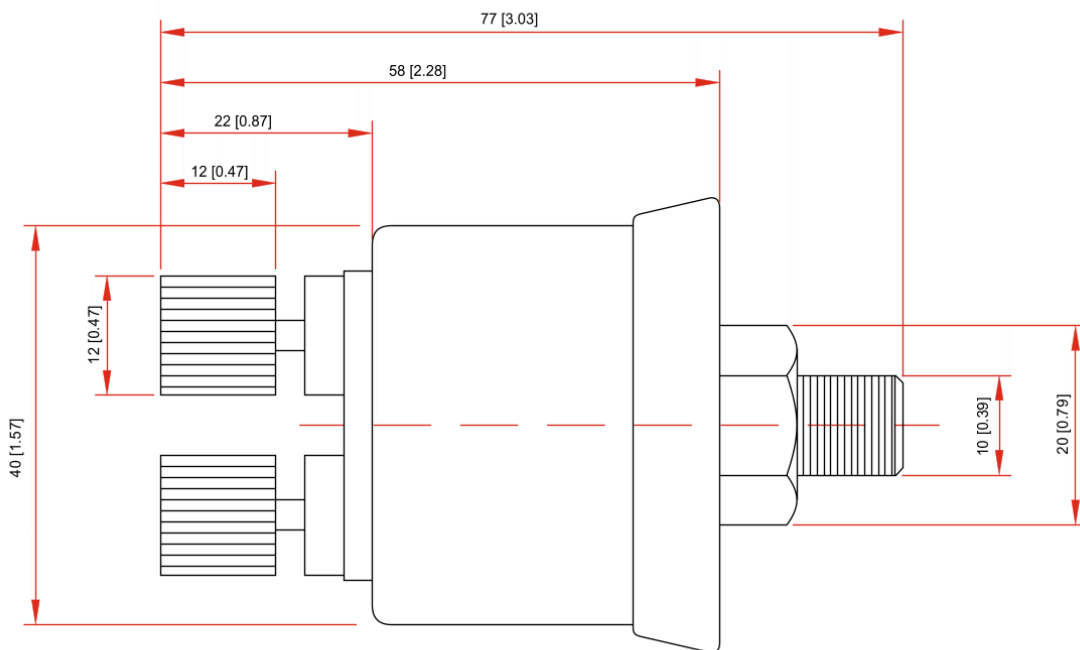


AiM VDO sensor cable ends with a four pins Binder 719 male connector. Between pins 1 and 4 of the connector is mounted a 1,8 kΩ resistor. AiM recommends not to tamper the sensor or it will not work. Drawing here below shows the cable constructive scheme.

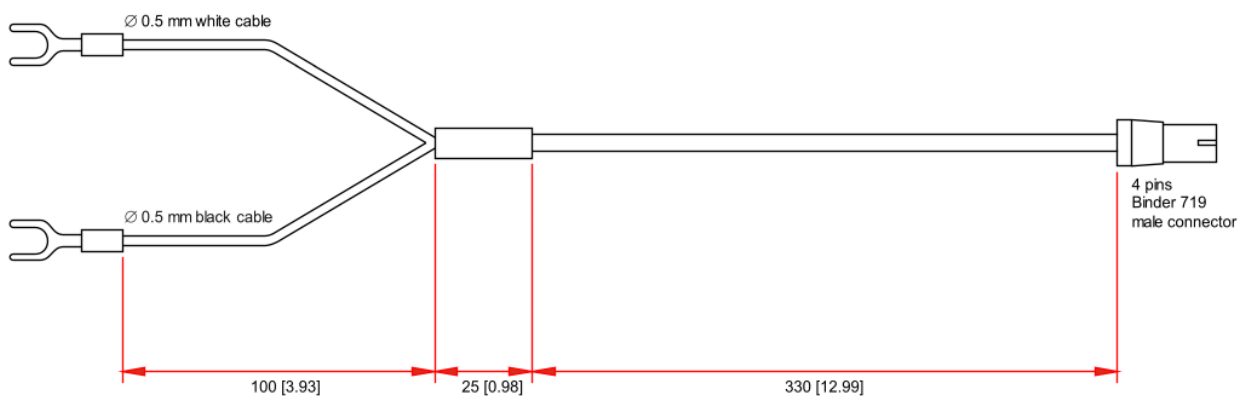


3 Dimensions, pinout and electrical characteristics

The drawing below shows the sensor dimensions in millimetres [inches].

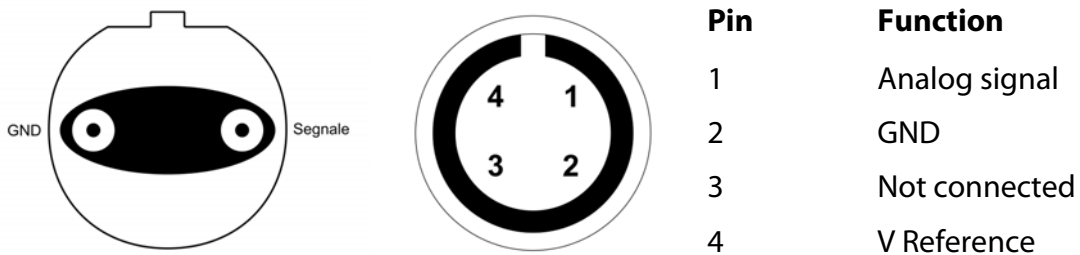


The drawing below shows VDO cable dimensions in millimetres [inches].



The images here below show:

- on the left: the sensor pinout front view
- central: the pinout of 4 pins Binder 719 male connector of V0255204 cable – solder termination view
- on the right: Binder 719 connection table



The table here below shows the sensor electrical characteristics.

Electrical characteristics	Value
Working range X05SNBO00	0-5 Bar
Working range X05SNBO05	0-10 Bar
Output signal	0-5V
Sensor thread	M10*1
Cable length V0255204	450 mm

5

Extension cables

The sensor is sold with a 45 cm cable. Standard and custom length extension cables are available; standard length are: 0,5 m, 1m and 1,5 m.

Product part number changes according to their length and to the product the sensor is to be connected to.

Extension cable for connection to:

- MXG
- MXS
- MXL2
- EVO5
- MXS Strada
- MXL Strada/Pista/Pro05

Part numbers:

- V02PCB05B** – cable length: 500mm
- V02PCB10B** – cable length: 1000mm
- V02PCB15B** – cable length: 1500mm
- V02PCB20B** – cable length: 2000mm
- V02PCB25B** – cable length: 2500mm
- V02PCB30B** – cable length: 3000mm

Extension cable for connection to:

- Channel Expansion
- EVO4
- EVO4S

Part numbers:

- V02PCB05BTXG** – cable length: 500mm
- V02PCB10BTXG** – cable length: 1000mm
- V02PCB15BTXG** – cable length: 1500mm
- V02PCB20BTXG** – cable length: 2000mm
- V02PCB25BTXG** – cable length: 2500mm
- V02PCB30BTXG** – cable length: 3000mm

