



## Installation guide

# Kit AiM Solo/SoloDL for Ducati 848, 1098, 1198

---



# Kit AiM Solo/SoloDL for Ducati 848, 1098, 1198

## Installation guide

Fig. 1/9

Fix AiM bracket for Ducati to Solo bracket using the 2 Allen screws you find in the kit



Fig. 2/9

Remove the steering wheel dumper starting with the Uniball screw as in the image

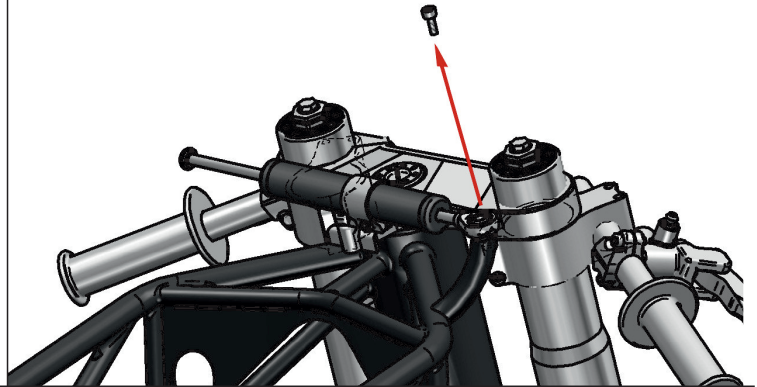


Fig. 3/9

Remove the screw of the steering wheel dumper collar enlarging the collar

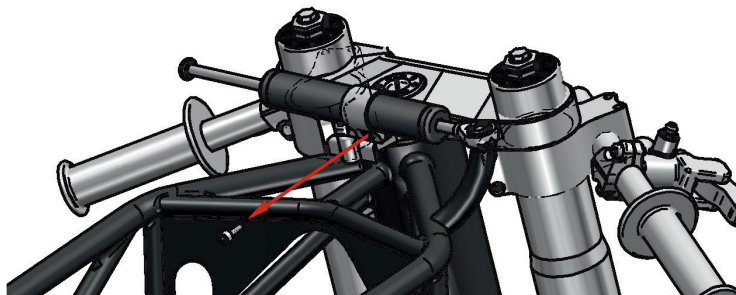


Fig. 4/9

Slide off the stem of the steering wheel dumper

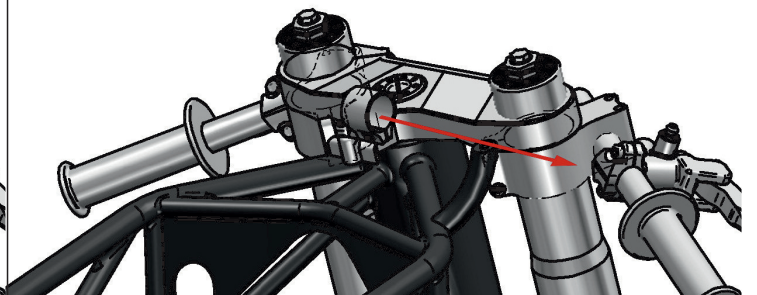


Fig. 5/9

Remove the screw that locks the collar to the steering plate and remove the collar from the bike

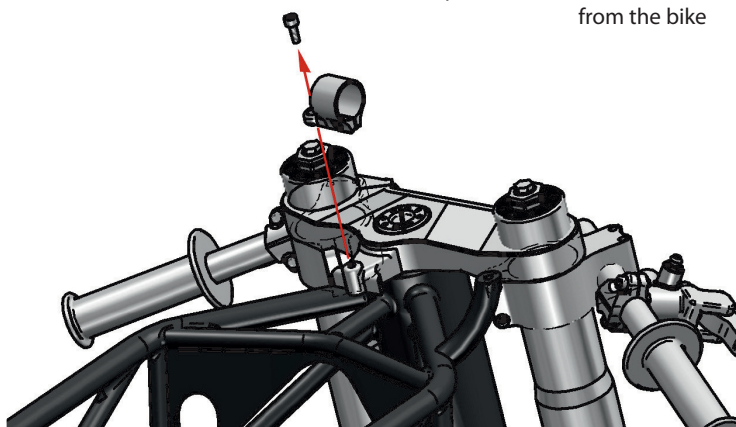
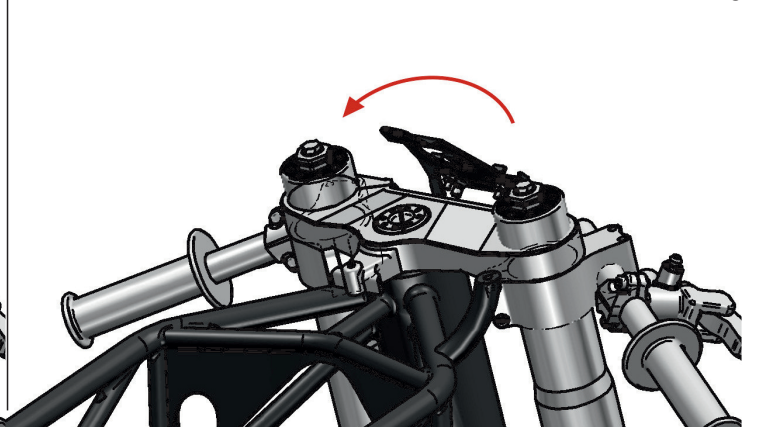


Fig. 6/9

Hook AiM bracket for Ducati rotating it as in the image



# Kit AiM Solo/SoloDL for Ducati 848, 1098, 1198

## Installation guide

Fig. 7/9

Replace the steering wheel dumper collar using the proper screws and locking AiM bracket for Ducati between collar and fork plate

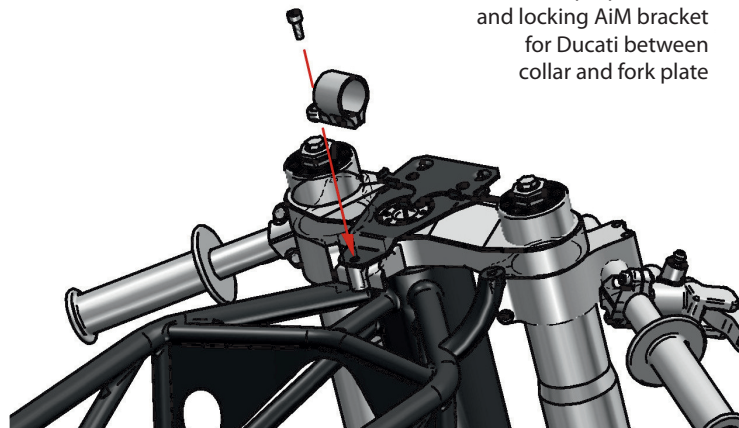


Fig. 8/9

Replace the stem in the collar re-screwing its screw and replace Uniball screw fixing it to the frame pivot

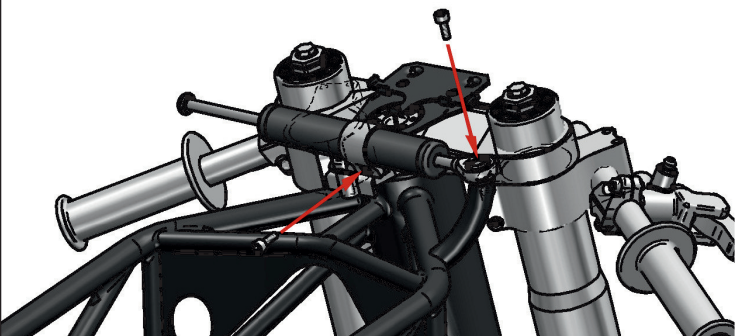


Fig. 9/9

Hook Solo to its housing

