



AiM Infotech

MyChron4-2T

Pinout and dimensions

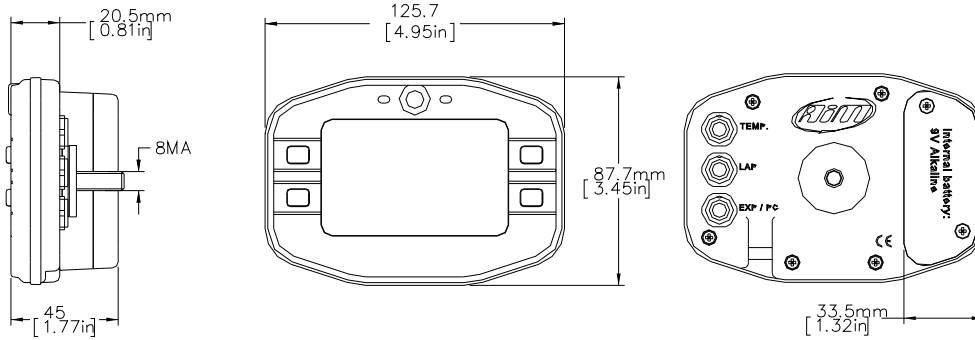
Release 1.00



N. rev. / Rev. N.	Descrizione / Description	Data / Date	Firma / Signature	Contr. da / Ckd. by
-------------------	---------------------------	-------------	-------------------	---------------------

MyChron 4 - 2T pinout and dimensions

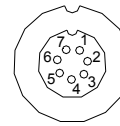
Dimensions in mm [inches]



Connector details - Temperature

Pin	Function	Pin	Function
1	Thermocouple 1	5	Thermoresistor 1
2	GND	6	GND
3	Thermocouple 2	7	Thermoresistor 2
4	GND		

TEMP.

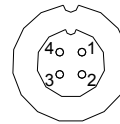


7 pins Binder 712 female connector pinout (external view)

Connector details - Lap

Pin	Function	Pin	Function
1	Magnetic Lap	3	+V Battery
2	GND	4	Optic Lap

LAP

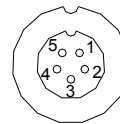


4 pins Binder 712 female connector pinout (external view)

Connector details - EXP/PC*

Pin	Function	Pin	Function
1	CAN 0+	4	CAN 0-
2	GND	5	External Battery
3	+v Battery		

EXP/PC



5 pins Binder 712 female connector pinout (external view)

* CAN connector for external expansion modules

Rif. / Ref.	Q.tà/Q.ty	Material / Material	N. articolo / Item N.	
Progettato da / Designed by	Contr. da / Ckd. by	Approvato da / Approved by	Nome file / File name	Data / Date
		Titolo / Title Pinout e dimensioni MyChron4 - 2T		
		N. disegno / Drawing N.	Rev. / Rev.	Foglio / Sheet 1 of 1