

AIM Infotech

EVO4/EVO4S and SoloDL kit
for Ducati Multistrada 1200
2010-2011

Release 1.03



KIT



1

Supported models and years

This tutorial describes how to connect AiM SoloDL, EVO4 ed EVO4S to you Ducati bike; supported models and years are:

- Ducati Multistrada 1200 2010-2011

Warning: for these models/years AiM recommends not to remove the stock dash. Doing so will disable some of the bike functions or safety controls. AiM Tech srl will not be held responsible for any consequences that may result from the replacement of the original instrumentation cluster.

2

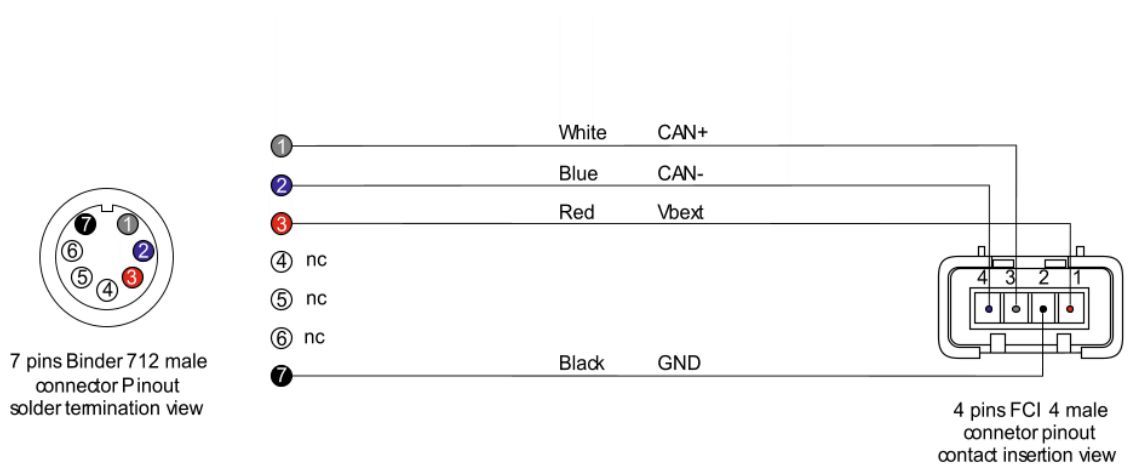
SoloDL, EVO4 and EVO4S connection kit

AiM designed and developed proper connection kits for SoloDL, EVO4 and EVO4S.

SoloDL and EVO4S connection kit part number is: **V02569170**.



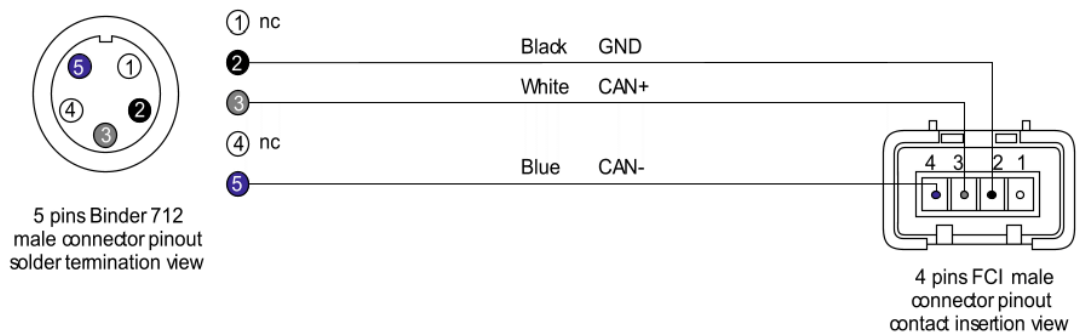
Here below is the cable construction scheme.



EVO4 connection kit part number is: **V02563150**.



Here below is the cable construction scheme.



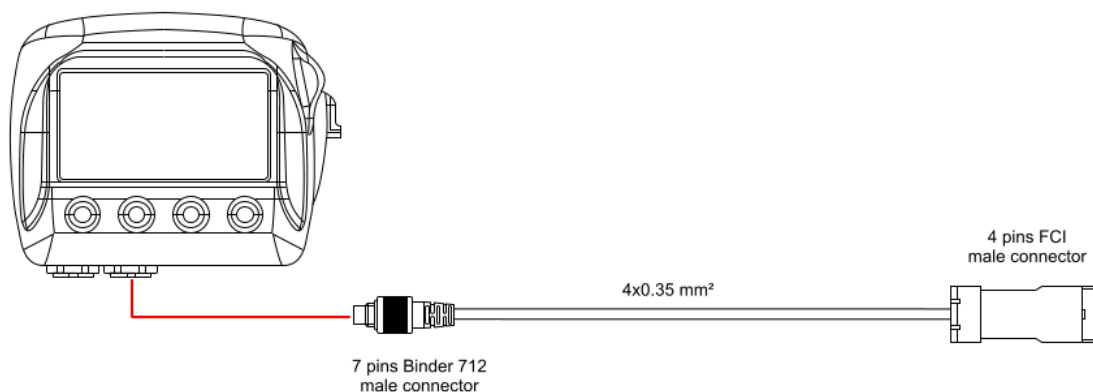
3 CAN bus connection

Ducati Multistrada features a bus communication protocol based on CAN on the FCI connector placed under the bike seat and shown here on the right.



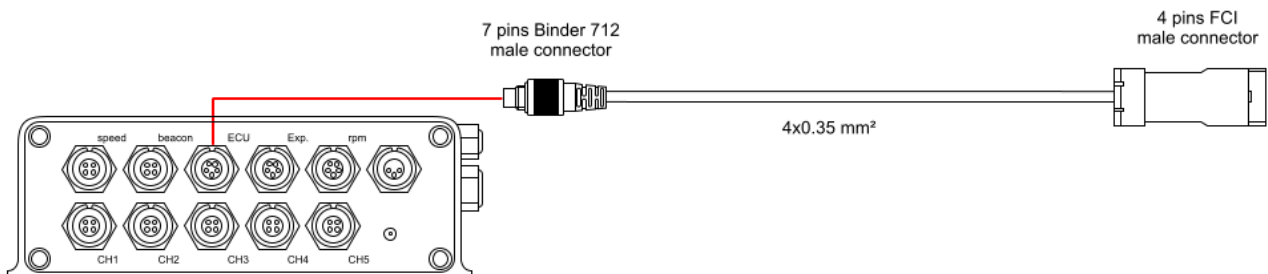
3.1 Connecting SoloDL

To connect SoloDL to Ducati Multistrada plug AiM connection kit (**V02569170**) in the seven pins right Binder female connector placed under the logger as shown here below.



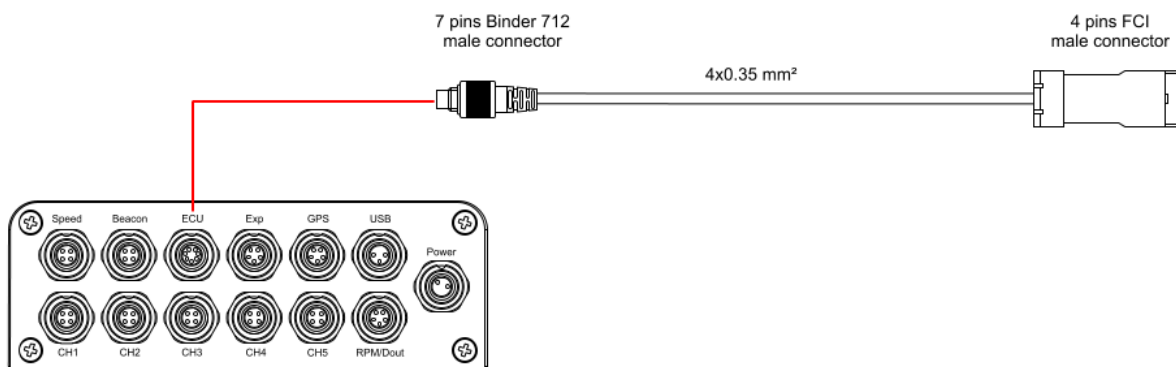
3.2 Connecting EVO4

To connect EVO4 to Ducati Multistrada plug AiM connection kit (**V02563150**) in EVO4 ECU connector as shown here below.



3.3 Connecting EVO4S

To connect EVO4S to Ducati Multistrada plug AiM connection kit (**V02569170**) in the seven pins Binder female connector labelled "ECU" on the logger front as shown here below.



4

Configuration with Race Studio

Before connecting the bike ECU to EVO4, EVO4s and SoloDL set these up using AiM Race Studio software. The parameters to select in the logger configuration are:

- ECU manufacturer "Ducati"
- ECU Model "Multistrada_1200";

5

"Ducati" "Multistrada_1200" protocol

Channels received by AIM logger connected to "Ducati" "Multistrada_1200" protocol are:

ID	CHANNEL NAME	FUNCTION
ECU_1	MU_RPM	RPM
ECU_2	MU_SPEED	Vehicle speed
ECU_3	MU_TPS_HAND	Manual Throttle position sensor
ECU_4	MU_TPS1	Throttle position sensor 1
ECU_5	MU_TPS2	Throttle position sensor 2
ECU_6	MU_WATER_T	Engine cooling temperature
ECU_7	MU_INTK_AIR_T	Intake air temperature
ECU_8	MU_AMBIENT_T	Ambient temperature
ECU_9	MU_BATTERY	Battery supply
ECU_10	MU_BRAKE_SW	Brake switch
ECU_11	MU_CLUTCH_SW	Clutch switch
ECU_12	MU_GEAR	Engaged gear
ECU_13	MU_NEUTRAL_SW	Neutral switch
ECU_14	MU_OILP_SW	Oil pressure switch
ECU_15	MU_TURN_RIGHT	Right turn indicator
ECU_16	MU_TURN_LEFT	Left turn indicator

Technical note: not all data channels outlined in the ECU template are validated for each manufacturer model or variant; some of the outlined channels are model and year specific, and therefore may not be applicable.