

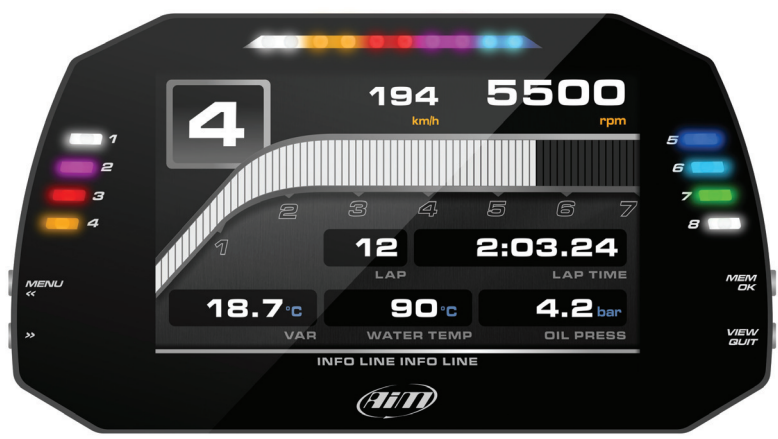


**AiM Infotech**

# AiM MXG Dash logger

**Release 1.10**

---



**VISIT SUPPORT CENTER**

SOFTWARE DOWNLOADS

FIRMWARE UPDATES

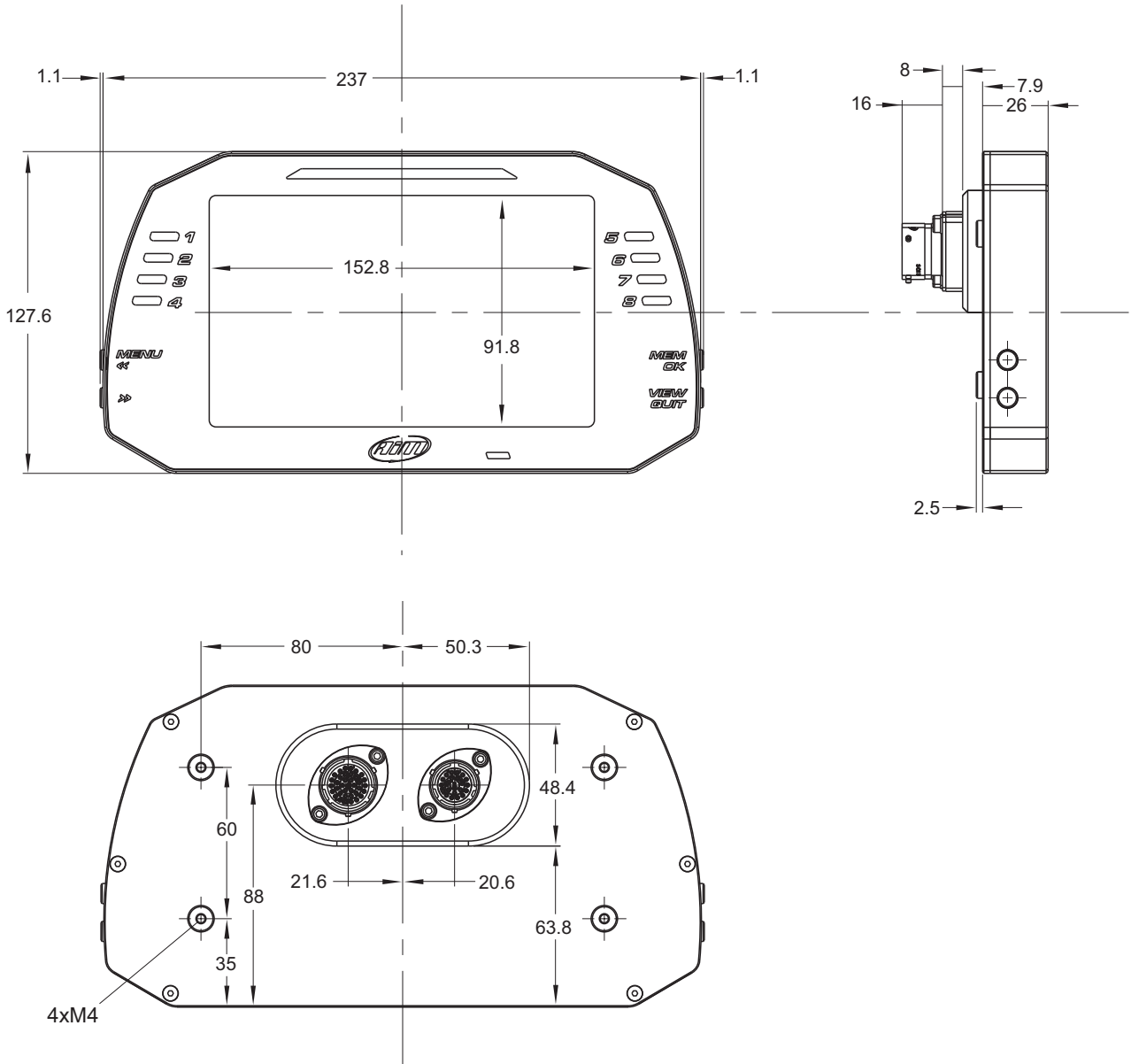
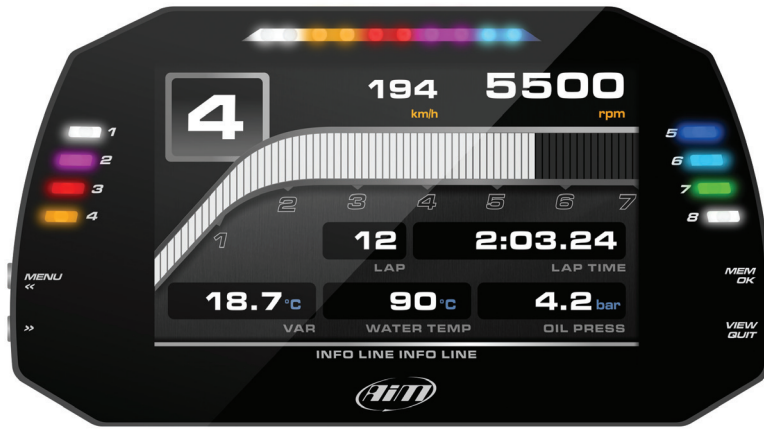
PRODUCT DOCUMENTATION





# AiM MXG

Dash logger





# AiM MXG

## Dash logger

### Technical specifications

<b>Display</b>	7" TFT
<b>Resolution</b>	800x480 pixels
<b>Contrast</b>	1000:1
<b>Brightness</b>	700cd/m2 - 1,100 Lumen
<b>Ambient light sensor</b>	Yes
<b>Alarm LEDs</b>	8 configurable RGB LEDs
<b>Shift Lights</b>	10 configurable RGB LEDs
<b>CAN connections</b>	3
<b>ECU connection</b>	CAN, RS232 or K-Line to 1,000+ industry leading ECUs
<b>External modules</b>	GPS Module, Channel Expansion, Thermocouple Expansion, Lambda Controller, SmartyCam HD
<b>Analog inputs</b>	8 fully configurable, max 1,000 Hz each
<b>Digital inputs</b>	4 Speed inputs, lap signal, coil RPM input
<b>Digital outputs</b>	2 (1 Amp max each)
<b>Second CAN</b>	Yes
<b>WiFi connection</b>	Yes
<b>Inertial platform</b>	Internal 3 axis $\pm 5G$ accelerometer + 3 axis gyro
<b>Internal memory</b>	4 GB
<b>Body</b>	Anodized Aluminum
<b>Pushbuttons</b>	Metallic
<b>Connectors</b>	2 Motorsport connectors
<b>Dimensions</b>	237x127.6x26 mm
<b>Weight</b>	950 g
<b>Power consumption</b>	400 mA
<b>Waterproof</b>	IP65



# AiM MXG

## Dash logger

### In the box

MXG, GPS Module with cable, USB cable, 37 pins standard harness, Race Studio 3 software

### Part numbers

**X19MXGGPS130** MXG + GPS Module with 1.30 m cable length

**X19MXGGPS400** MXG + GPS Module with 4.00 m cable length

### Spare parts

**V02573010** 37 pins standard harness

**X40GPS5B130** GPS Module with 1.30 m cable length

**X40GPS5B400** GPS Module with 4.00 m cable length

**V02573030** USB adapter

**X90TMPC002** USB cable

### Optionals

**V02573020** 22 pins harness

**V02573080** 22 pins harness with 1 thermocouple

**V02573160** 22 pins harness with 2 thermocouples

**V02573040** 37 pins harness with 1 thermocouple

**V02573050** 37 pins harness with 2 thermocouples

**5CN822F00** 22 pin female Deutsch connector

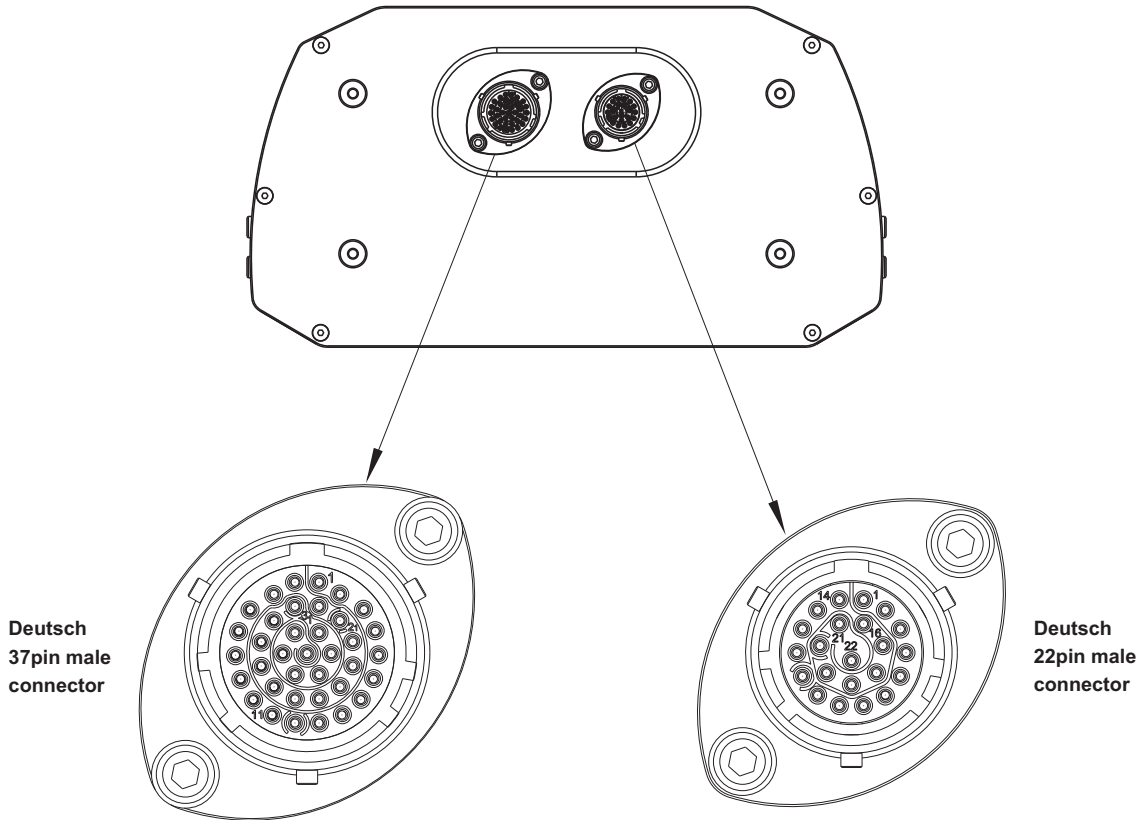
**5CN837F00** 37 pin female Deutsch connector



# AiM MXG

## Dash logger

### Pinout



Deutsch  
37pin male  
connector

Deutsch  
22pin male  
connector

37 pins Deutsch connector pin	Pin function
1	9-15V Power input
2	Battery GND
3	CAN+ Exp
4	GND
5	+Vbattery CAN
6	CAN- Exp
7	+Vbext
8	CAN1+ ECU
9	CAN1- ECU
10	K-Line GND
11	K-Line ECU
12	USB D+
13	USB D-
14	GND
15	RPM
16	GND
17	+Vbattery
18	Optical Lap
19	Speed
20	GND
21	+Vbattery
22	Analog Input 1
23	Analog GND
24	+Vbattery
25	+Vreference
26	Analog Input 2
27	Analog GND
28	+Vbattery
29	+Vreference
30	Analog Input 3
31	Analog GND
32	+Vbattery
33	+Vreference
34	Analog Input 4
35	Analog GND
36	+Vbattery
37	+Vreference

22 pins Deutsch connector pin	Pin function
1	Analog Input 5
2	Analog GND
3	+Vbattery
4	+Vreference
5	Analog Input 6
6	Analog Input 7
7	Analog GND
8	+Vbattery
9	+Vreference
10	Analog Input 8
11	Speed 2
12	GND
13	+Vbattery
14	Speed3
15	Speed4
16	GND
17	CAN2+ ECU
18	CAN2- ECU
19	Digital output 1
20	Digital output 2
21	RS232TX
22	RS232RX



# AiM MXG

## Dash logger

### Product history

Rev	From serial number	Date	Changes
<b>Rev04</b>	<b>4201694</b>	May, 24th 2017	<ul style="list-style-type: none"><li>▪ <b>TFT-01D</b>: main board<ul style="list-style-type: none"><li>▪ Added correct reading battery voltage value</li><li>▪ Compatible with display KYOCERA and DIGIWISE</li></ul></li><li>▪ <b>PXL20F</b>: connectors interface board new<ul style="list-style-type: none"><li>▪ Compatible with TFT-01D for correct reading battery voltage value</li></ul></li></ul>
<b>Rev03</b>	<b>4201387</b>	May, 15th 2017	<ul style="list-style-type: none"><li>▪ <b>TFT-01C</b>: main board<ul style="list-style-type: none"><li>▪ HW modified for correct reading battery voltage value</li></ul></li><li>▪ <b>PXL20F</b>: connectors interface board new<ul style="list-style-type: none"><li>▪ To work with TFT-01C modified</li></ul></li></ul>
<b>Rev02</b>	<b>4201500</b>	Apr, 11th 2017	<ul style="list-style-type: none"><li>▪ <b>TFT-01D</b>: main board<ul style="list-style-type: none"><li>▪ Added correct reading battery voltage value</li><li>▪ Compatible with display KYOCERA and DIGIWISE</li></ul></li><li>▪ <b>PXL20E</b>: connectors interface board<ul style="list-style-type: none"><li>▪ HW modified to work with TFT-01D</li></ul></li></ul>
<b>Rev01</b>	<b>4201218</b>	Nov, 29th 2016	<ul style="list-style-type: none"><li>▪ <b>PXL20E</b>: connectors interface board<ul style="list-style-type: none"><li>▪ Added anti crank power stage</li><li>▪ Added overvoltage protections on analog inputs</li></ul></li><li>▪ <b>Back mechanical part 05.573.08 rev1</b>, necessary because the new board PLX20E has bigger components</li></ul>