

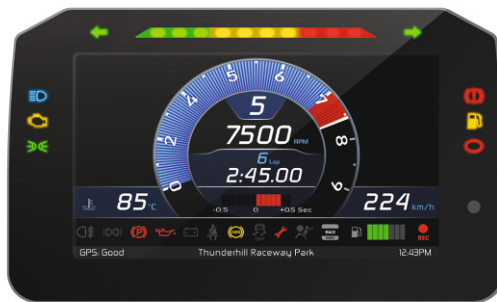


AiM Infotech

AiM MX2E

Plug & Play Dash Logger kit for Lotus Elise/Exige*

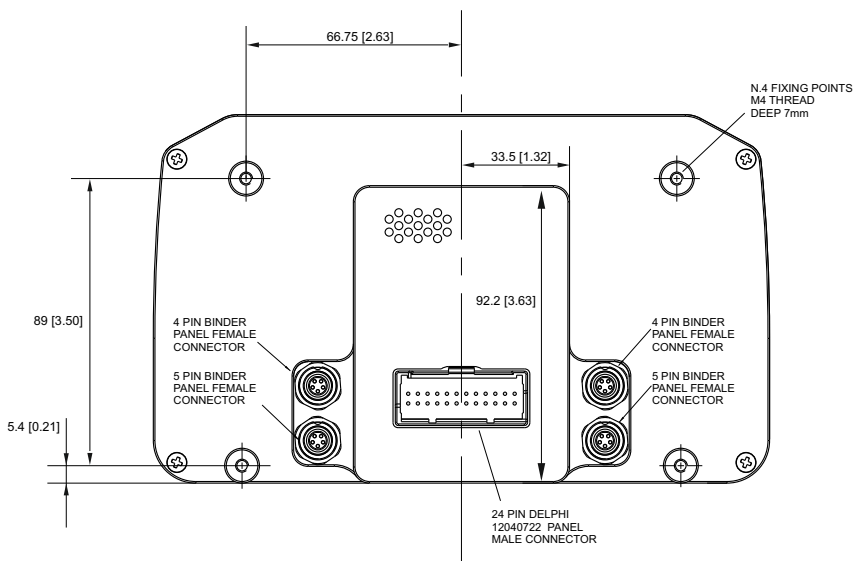
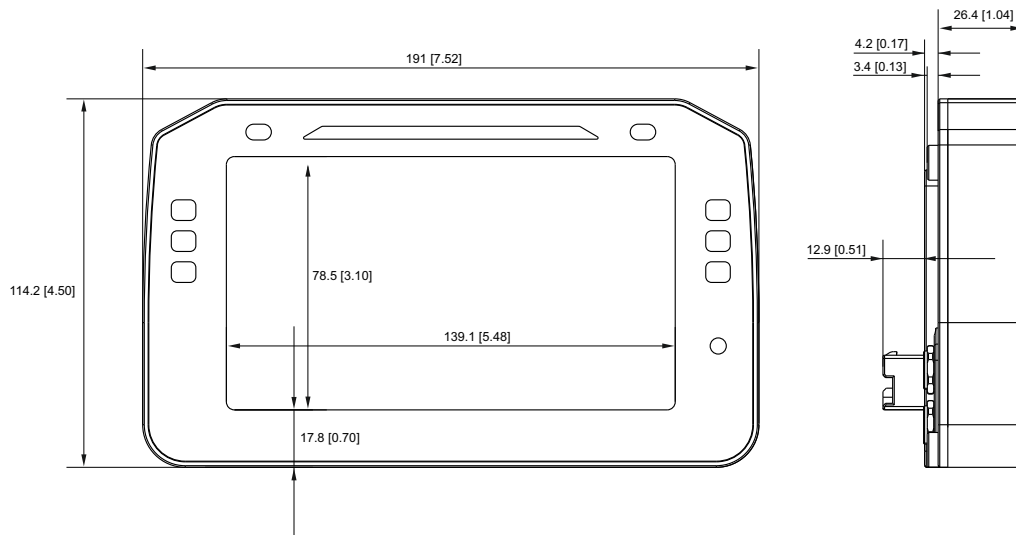
Release 1.01





AiM MX2E

Plug & Play Dash Logger kit for Lotus Elise/Exige*



* Lotus Elise/Exige models 2011-2019



AiM MX2E

Plug & Play Dash Logger kit for Lotus Elise/Exige*

Technical specifications

Display	6" TFT
Resolution	800x480 pixels
Contrast	600:1
Brightness	700cd/m2 - 1,100 Lumen
Ambient light sensor	Yes
Integrated buttons in cluster	4
Status information LEDs	6
Shift Lights LEDs	10
Turn indicators	2
CAN connections	2
ECU connection	Yes
External modules	GPS Module, Channel Expansion, Lambda Controller, SmartyCam HD
Wi-Fi connection	Yes
Rear camera input	Yes
Internal memory	4 GB
Body	Anodized Aluminum
Connectors	1 Delphi 12040722 connector + 4 Binder 712 connectors
Dimensions	191 x 114,2 x 26,4 mm
Weight	640 g
Power consumption	400 mA
Waterproof	IP65



Part number

XA6MXPLEEO MX2E dash logger with cluster, dedicated GPS Module, screws and washers

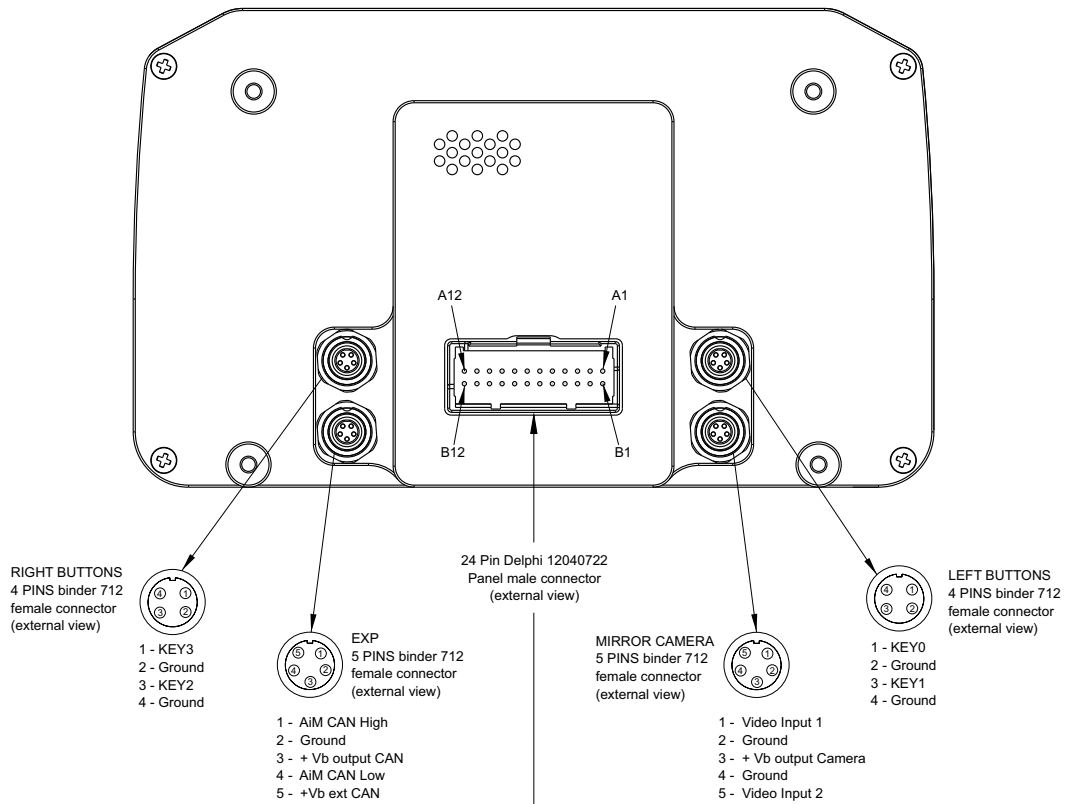
* Lotus Elise/Exige models 2011-2019



AiM MX2E

Plug & Play Dash Logger kit for Lotus Elise/Exige*

Pinout



Pin	Delphi 12040722 - 24 pin
A1	Reserved
A2	GND
A3	12V
A4	Alternator
A5	Ignition
A6	Alarm Flash
A7	CAN High
A8	Rear Fog
A9	Main Beam
A10	Cluster Lights
A11	LH Indicator
A12	RH Indicator

Pin	Delphi 12040722 - 24 pin
B1	Parking Brake Switch
B2	Not connected
B3	Reserved
B4	Seat Belt Switch
B5	Not connected
B6	Side Lights
B7	CAN Low
B8	Key Ign
B9	Illumination Control
B10	Not connected
B11	Door switch
B12	Air Bag

* Lotus Elise/Exige models 2011-2019