



AIMSHOP.COM



• LAP TIMERS • LOGGERS • CAMERAS • DASHES • SENSORS • AND MORE

SHOP NOW

ViM MXS Strada 1.2



VISIT SUPPORT CENTER

SOFTWARE DOWNLOADS

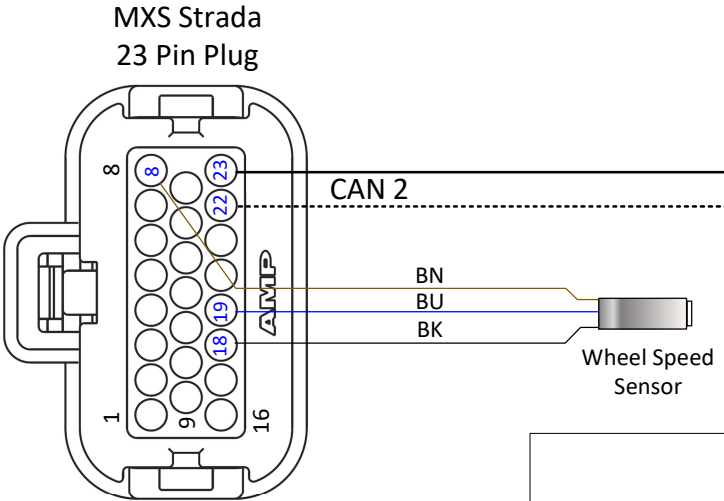
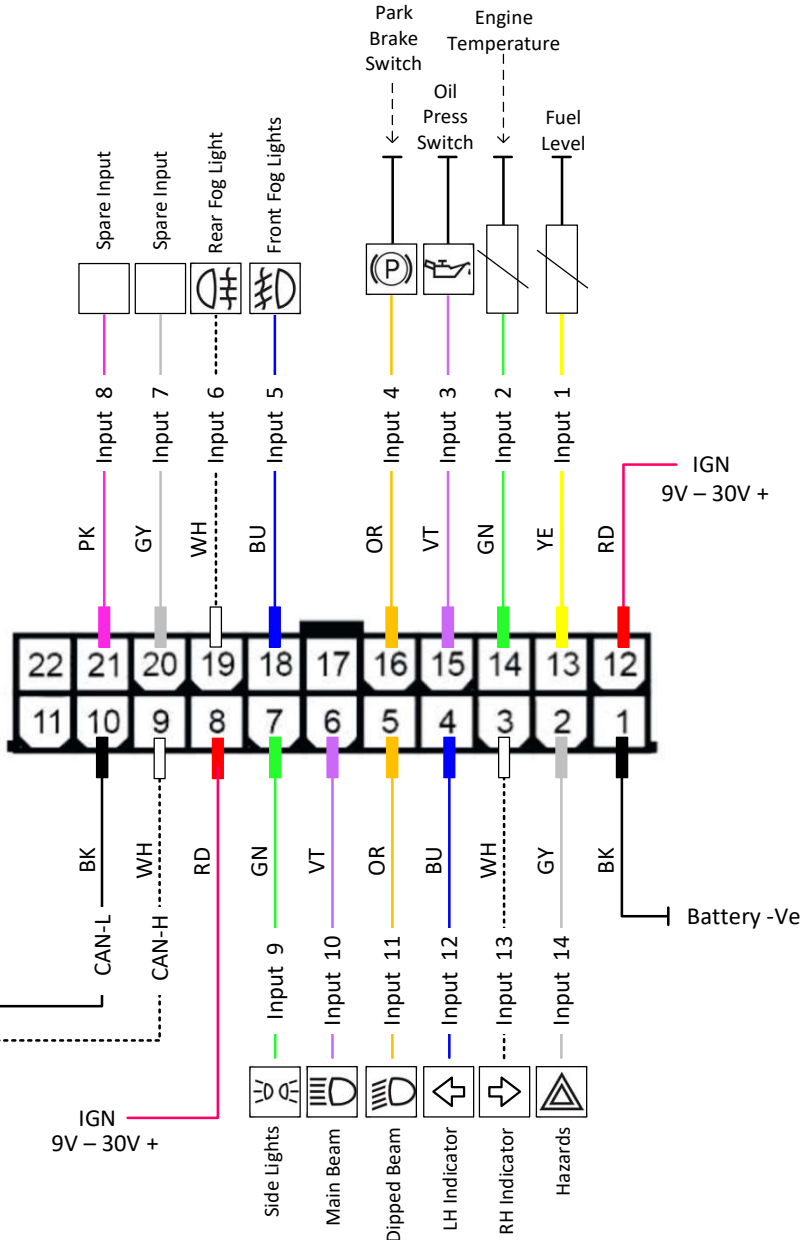
FIRMWARE UPDATES

PRODUCT DOCUMENTATION



Pin	Function
1	Analog input 1
2	GND input
3	+Vb output
4	+Vreference
5	Analog input 2
6	Analog input 3
7	GND input
8	+Vb output
9	+Vreference
10	Analog input 4
11	Analog input 5
12	GND input
13	+Vreference
14	Analog input 6
15	Analog input 7
16	+Vreference
17	Analog input 8
18	Speed input
19	GND
20	Low side output
21	RPM input
22	CAN 2+
23	CAN 2-

Wire Code	
BK	Black
BN	Brown
BU	Blue
GN	Green
GY	Grey
PK	Pink
RD	Red
VT	Violet
WH	White
YE	Yellow



Issue	Date	Comments	Drawn By	Approved	Drawing Title	A4
1	19/06/18		SS		VIM Vehicle Interface Module	
					Rev 1.1	Sheet 2 Of 2